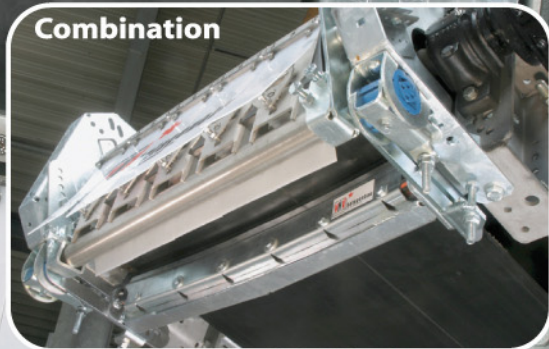




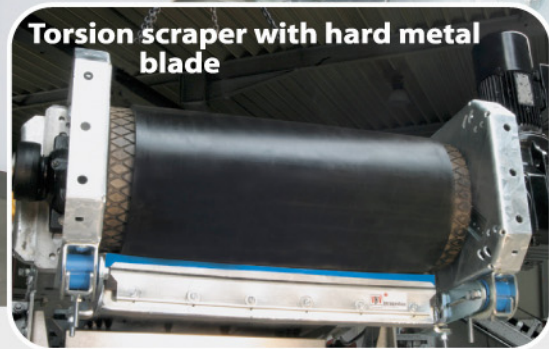
VHV scraper systems always keep things clean



Torsion scraper with rubber blade



Combination

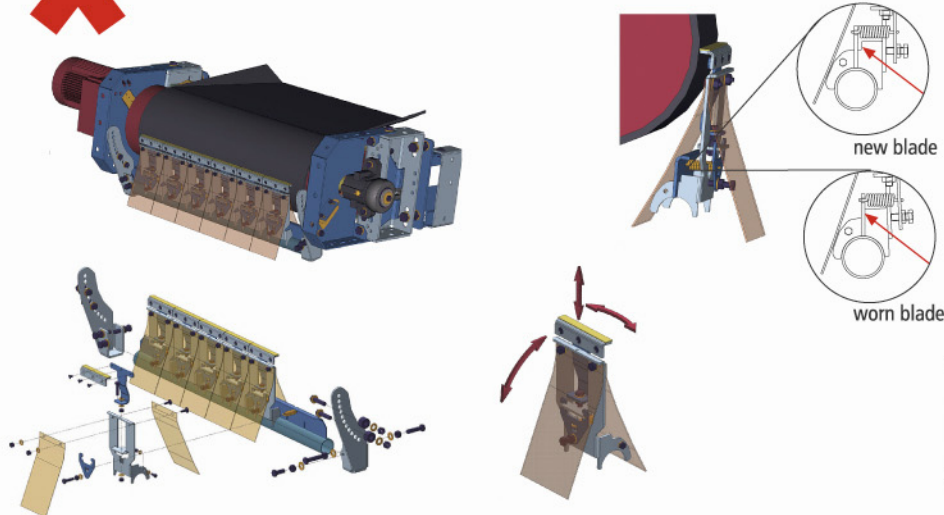


Torsion scraper with hard metal blade

- * Front segment scrapers
- * Hard metal torsion scrapers
- * Rubber torsion scrapers
- * Combinations

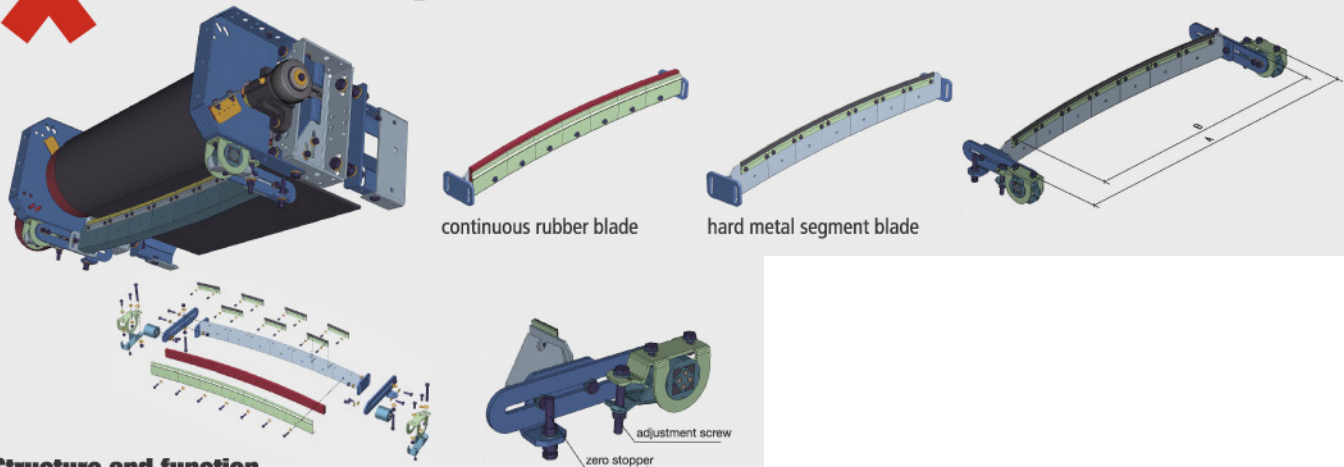


* Front segment scraper



The front segment scraper, which is made entirely of stainless steel, cleans the conveyor belt at the front edge of the discharge pulley below the separation point and diverts any adhering material to the front. This reduces the height requirements, because no material has to be caught below the pulley. The tangential cleaning force is diverted directly to the belt frame. Soft tension springs are adjustable so that the cleaning pressure of every scraping segment is customised for each segment's actual material loading. This allows for more aggressive deflection of any heavy material. Unevenness of the belt is corrected by a special compensation joint that acts as shock absorber and guarantees that the metal scraper is ideally positioned against the belt. A zero stopper limits the motion of the worn scraper and prevents damage to both the scraper and belt. Temperature-resistant versions are available for transporting hot products.

* Torsion scraper



Structure and function

The torsion scraper cleans material sticking to the belt. The contact pressure is generated by two torsion elements, which transfer pressure to the blade by means of two lever arms.

To ensure that the scraper does not leave the belt in the case of minor unevenness in the belt, the scraper is set approximately 50 mm downstream from the pulley. This allows the belt to deviate upwards in the case of local unevenness and the scraper continues to work on the rest of the belt. The ideal working position for the scraping blade is perpendicular to the belt, but it can also be fitted in a slanted position when vibrations occur.

Design

The torsion scraper is supplied with a hard metal blade and a rubber blade. The corresponding design is used, depending on the degree to which the product adheres to the belt. If the material is extremely sticky, the torsion scraper can be combined with the VHV front segment scraper.



VHV Anlagenbau GmbH

Dornierstraße 9 • D-48477 Hörstel

Phone: +49 (0) 5459/9338-0 • Fax: +49 (0) 5459/9338-80

e-mail: info@vhv-anlagenbau.de • website: www.vhv-anlagenbau.de